

Installation

Active Suspension Control – Lowering of air suspension

Audi A8 / S8 4H



Contents

1. Disclaimer	3
2. Copyright	3
3. Safety Instruction	3
4. General Information	3
5. General Remarks	4
6. Technical data	4
7. Preparation	5
8. Audi A8/S8 4H – Pre Facelift model	6
9. Audi A8/S8 4H – Facelift model	9

1. Disclaimer

The content listed in this manual is created with greatest possible care. The Cete Automotive GmbH assumes no responsibility for the completeness, topicality and accuracy for the listed content. The use of content takes place at the user's own risk. Therefore we - the Cete Automotive GmbH - assume no liability and responsibility for damages and defects, which arise from operation or incorrect handling and maintenance.

2. Copyright

The published contents, works and information in this manual are subject to the German copyright law. Any form of reproduction, processing/editing, distribution, copying, editing, translation, storage and any kind of use outside the limits of copyright law require the written approval of the particular. Unauthorized copying/ saving of the provided information in this manual are illegal and criminal.

3. Safety Instruction

The installation can only be fulfilled by trained specialists. The installation has to be done while the car's battery is unplugged. The usage of the Active Sound Gateway® BLE is only applicable for the car models mentioned in this mounting guideline. The installation has to be done step by step as it's described in this mounting guideline. The Cete Automotive GmbH does not take responsibility for damages, caused through:

- improper installation
- the usage of unsuitable connectors
- installations in not mentioned car models

The producer reserves the right to change components without giving reasons Errors and omissions excepted.

4. General Information

We ask you to read this manual thoroughly and completely and uphold to the given instructions. During the development we focused on safety, ease of use, design, innovative development, etc, to guarantee a high quality product for the consumer. Despite the greatest care improper installation and using or incorrect operation can result in material damages. Depending on the product and its purpose it may be necessary to check the legal requirements of the country before commissioning. To receive consideration for warranty claims the product has to be send back with its original package, the proof of purchase and an error description. Please note the returns policies. The warranty regulations apply. The warranty claim and the operating permit expire through: unauthorized modification of the product, own repairing, violent impacts, improper use, opening the case.

5. General Remarks

Please note, that the Active Sound Gateway® BLE is a vehicle requiring official approval product. Please register this product as soon as possible.

The Images and Content shown in this installation guide only serve as a help for you. Please remove the covers according to the repair manual of the respective manufacturer.

In addition, we recommend that you recalibrate the driving assistants after lowering in order to ensure that all components work 100% properly.

6. Technical data

Model name: Active Suspension Control

Operating temperature: -40 °C bis 85 °C

Operating voltage: 7 V bis 20 V

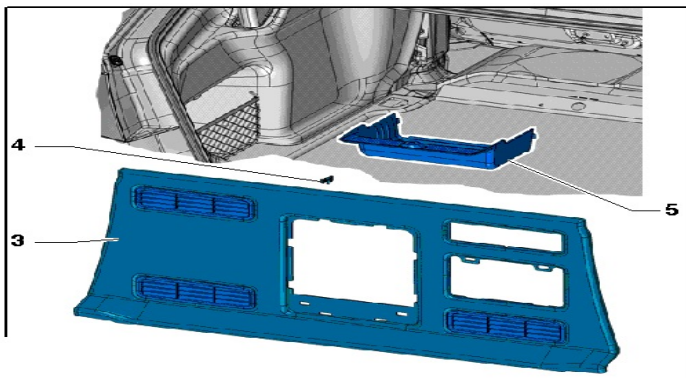
Average current consumption: 250 mA



7. Preparation



Open the trunk.



In order to remove the bottom covers, you need to remove the covers of the back seats first.

It's just clipped.



8. Audi A8/S8 4H – Pre Facelift model



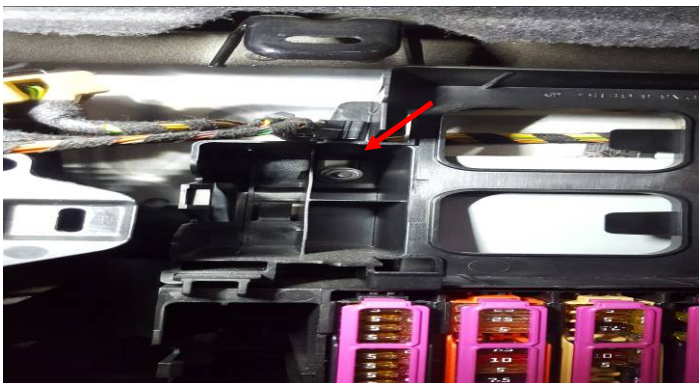
Step 1)

You will find the control module of the air suspension behind the Comfort control module.



Step 2)

First, remove all cables to unclip the control module.



Step 3)

Remove the screws behind it.



Step 4)

Clip the black carrier out of the housing and remove.



Locate the control module behind it.



In order to remove the bottom covers, you need to remove the covers of the back seats first.

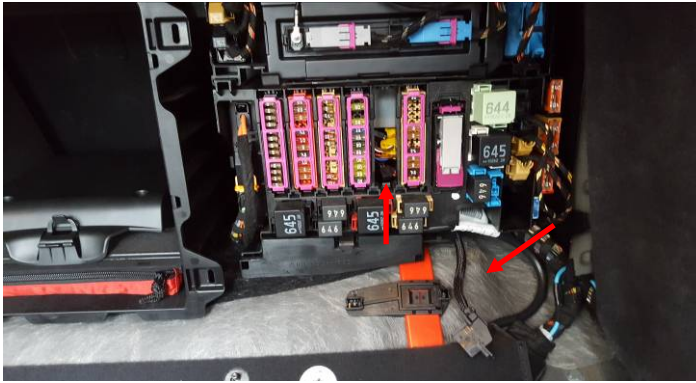
It's just clipped.



Connect the cables with the adapter.

Start with the pink and then with the gray plug.





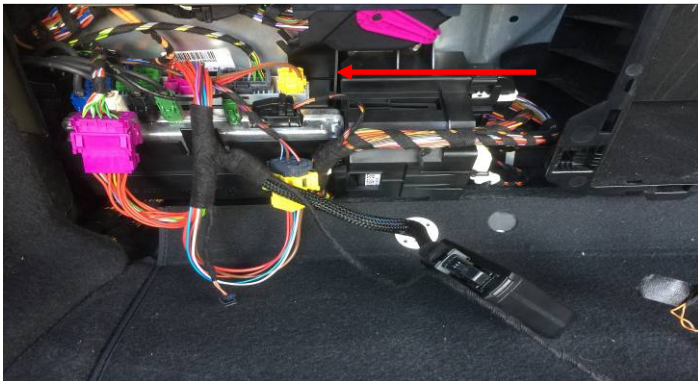
Make sure to lay it properly.



Finally connect the adapter to the PDC control module.



9. Audi A8/S8 4H – Facelift model

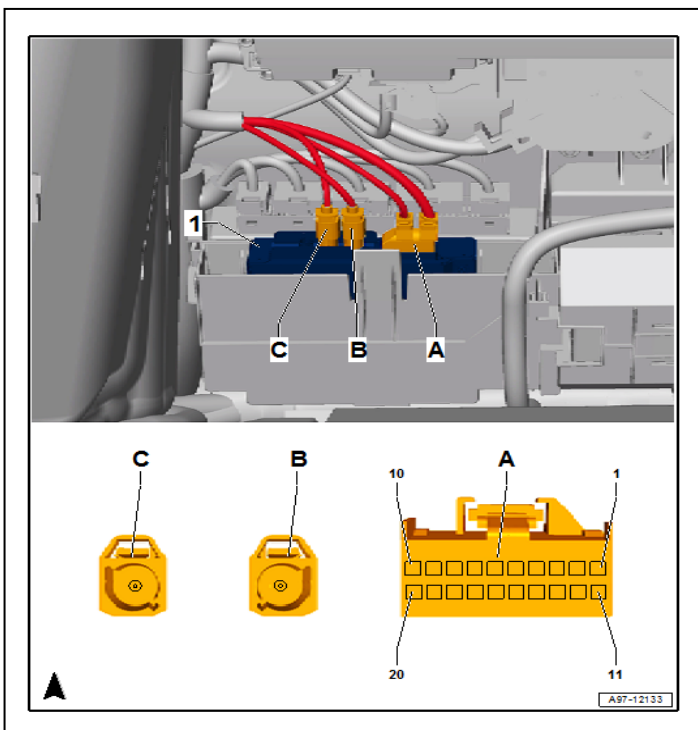


Locate the control module on the left half. It is directly visible.



Connect the cables with the adapter.

Start with the pink and then with the gray plug.



Locate the control unit for the reversing camera.

This has a 20-pin connector, where you can remove the CAN-BUS.

Disconnect the Orange/Blue wire and replace it with the orange/black wire from the adapter.

The same applies to the orange/brown wire.

Then connect the two adapter housings.

Orange/Black belongs to Orange/Blue

Orange/Brown belongs to Orange/Brown



Alternatively, you can also pick up the wire at the CAN gateway.

There you need the identical colors
Orange/Black + Orange/Brown.

(Pin 6 + pin 16).

